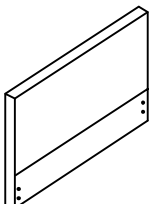
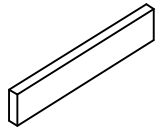
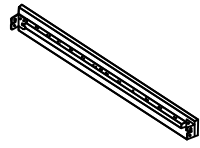
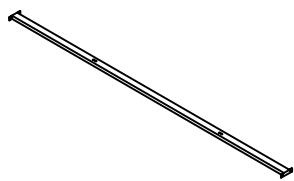
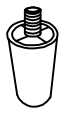
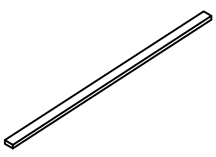
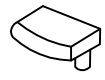
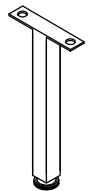
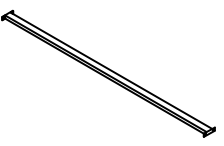
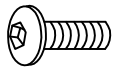


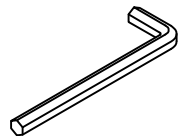




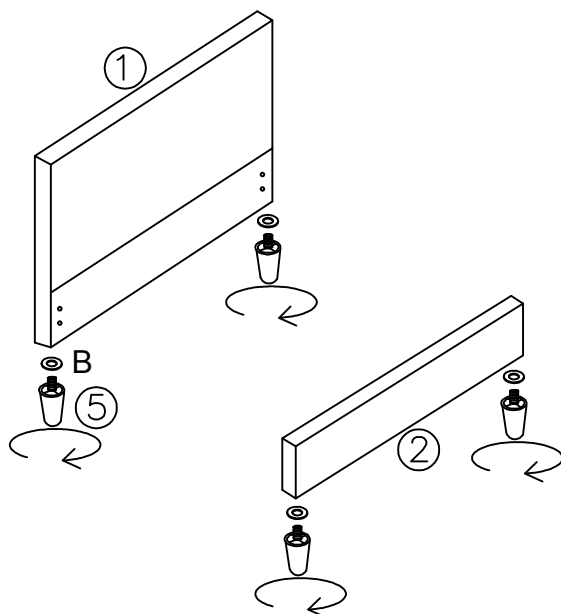
HARDWARE LIST

<p>① Headboard 1pc</p> 	<p>② Footboard 1pc</p> 	<p>③ Side Rail*2pcs</p> 	<p>④ Center Support Bar *1pc</p> 
<p>⑤ Leg*4pcs</p> 	<p>⑥ Slats*12pcs</p> 	<p>⑦ Single Plastic Cap*24pcs</p> 	<p>⑧ supporting leg*2pcs</p> 
<p>⑨ Center Support Bar *1pc</p> 			

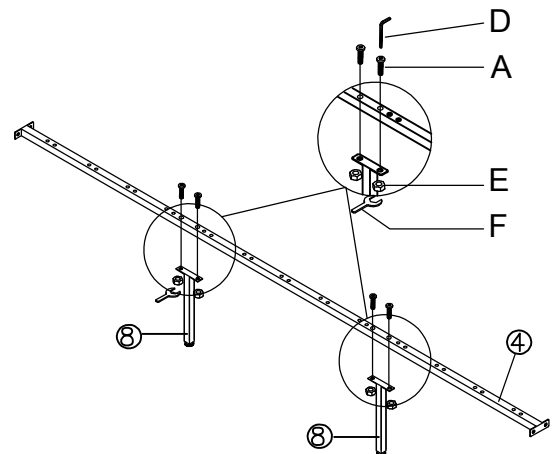
PART LIST

<p>(A) Bolt M8*30mm*20pcs</p> 	<p>(B) Flat Washer *12pcs</p> 	<p>(C) Spring Washer*8pcs</p> 	<p>(D) Allen Key M5*1pc</p> 
<p>(E) Nut M8 x 4pcs</p> 	<p>(F) Spanner x 1pcs</p> 		

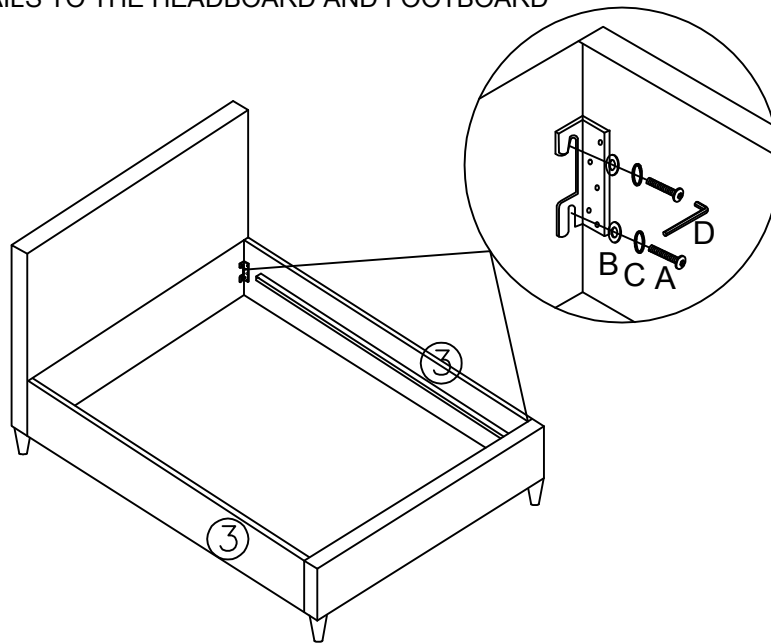
STEP 1 FIXING THE FEET TO THE HEADBOARD AND FOOTBOARD



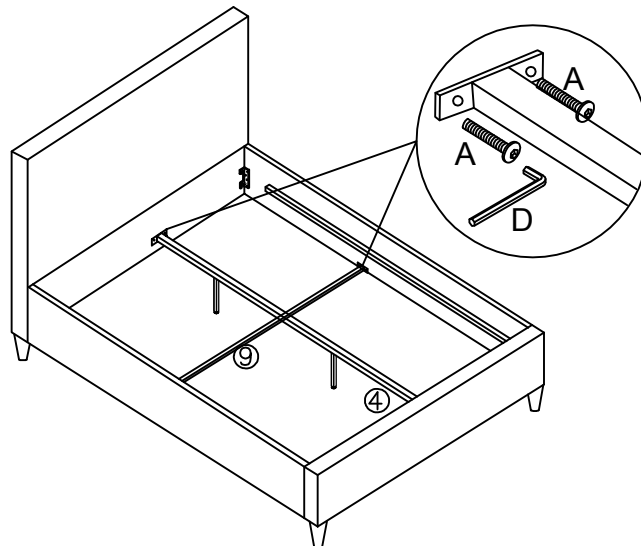
STEP 2 FIXING SUPPORT LEGS TO CENTRE SUPPORT BAR



STEP 3: SECURE THE SIDE RAILS TO THE HEADBOARD AND FOOTBOARD



STEP 4: CONNECT THE SUPPORT ROD TO THE HEADBOARD, FOOTBOARD, AND SIDE BOARD OF THE BED



STEP 5 FIXING PLASTIC CAPS AND SLATS.

